

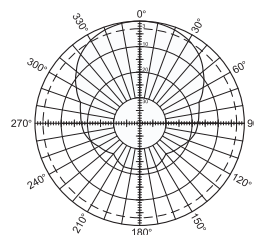
Panel Antenna Heavy Duty 146 ... 174 MHz Vertical / Horizontal Polarization

The Schomandl K523221 directional broadband panel antenna is intended for use in professional fixed-station applications in the 146-174 MHz band.

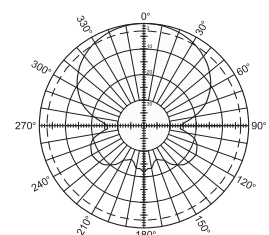
- Heavy-duty construction.
- Excellent bandwidth, VSWR of 1.15:1 across the band, with no field adjustment.

- Hot-dip galvanized steel panel assembly.
- Radiating elements protected with fiber-glass radomes.
- Horizontal or vertical polarization.
- Multiple panels may be configured to meet a variety of radiation pattern requirements.
- Stainless steel hardware throughout.

Type No.	K 52 32 21
Frequency range	146-174 MHz (broadband)
Gain	10 dBi
Impedance	50 ohms
VSWR	<1.15:1
Polarization	Horizontal or vertical
Front-to-back ratio	>20 dB
Maximum input power	1100 watts (at 50°)
H-plane beamwidth	65° (half-power)
E-plane beamwidth	58° (half-power)
Connector	N female
Weight	25 kg (55.1 lb)
Dimensions (approx.)	1320 x 1320 x 510 mm (52 x 52 x 26.5 inches)
Wind load	at 150 km/h (93 mph) 600 N (135 lbf)
Wind survival rating*	220 km/h (130 mph)
Shipping dimensions	1400 x 1400 x 750 mm (55.1 x 55.1 x 29.5 inches)
Shipping weight	38.6 kg (85 lb)
Mounting	A mounting kit is available for masts of 60 to 115 mm (2.375 to 4.5 inches) OD.
Order No.	80000007



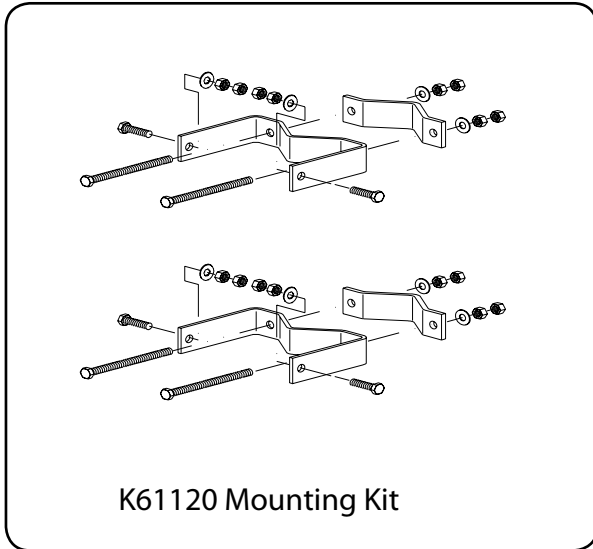
Horizontal pattern



Vertical pattern

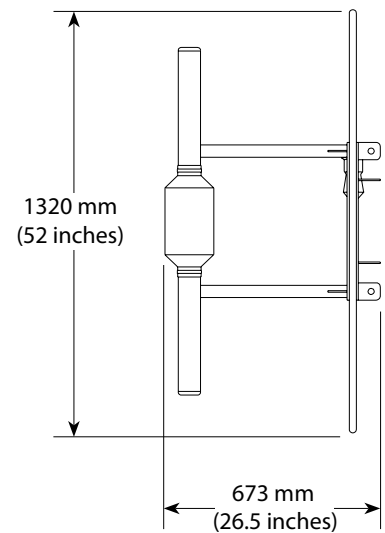
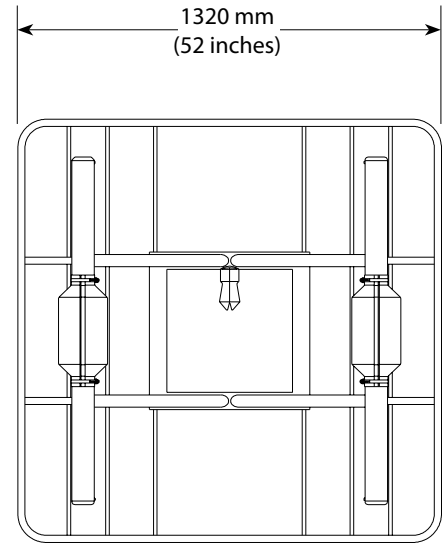
* Mechanical design is based on environmental conditions as stipulated in EIA-222-F (June 1996) and/or ETS 300 019-1-4 which include the static mechanical load imposed on an antenna by wind at maximum velocity.

Panel Antenna Heavy Duty 146 ... 174 MHz Vertical / Horizontal Polarization



Mounting Options :

Model	Description
K61120	Mounting kit for 60 to 115 mm (2.375 to 4.5 inch) OD mast.



(Shown vertically polarized)