

V pol Omnidirectional Colinear Antenna

146 ... 174 MHz

The Schomandl K 55 16 21 1/2/3 are omnidirectional gain antennas for many professional fixed-station applications. With their aluminum alloy base, the products can be easily mounted in nearly any situation.

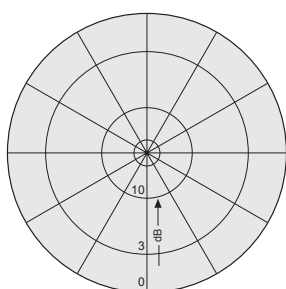
- Colinear Antennas with stacked design for flat vertical pattern
- Rugged grey fiberglass radome for enduring performance
- For superior VSWR performance, the products are available in three different frequency ranges covering the full VHF band

Type No.	K 55 16 21 1	K 55 16 22 1	K 55 16 23 1
Frequency range	146 - 155 MHz	155 - 164 MHz	164 - 174 MHz
Input	N female		
VSWR	< 1.5		
Gain (ref. $\lambda/2$ dipole)	4 dB		
Impedance	50 Ω		
Polarization	Vertical		
Max. power	500 W (at 50 °C ambient temperature)		
Weight	7 kg	6,5 kg	6,5 kg
Wind load	220 N	210 N	200 N
		(at 150 km/h)	
Max. wind velocity		150 km/h	
Packing size (l)	4850 mm	4600 mm	4350 mm
Packing size (w x d)		160 x 160 mm	
Antenna height	4780 mm	4530 mm	4275 mm
Diameter		max. 52 mm	
Order no.	80000857	80000858	80000859

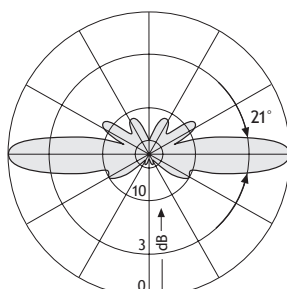
Material: Radiator: Brass.
Radome: Fiberglass, colour: Grey.
Base: Aluminum.
Mounting U-bolt and all screws and nuts: Stainless steel.

Mounting: The antenna can be attached in two ways with the supplied mounting kit:
1. On the tip of a tubular mast of 65 - 105 mm diameter (connecting cable runs inside the mast).
2. Laterally at the tip of a tubular mast of 30 - 90 mm diameter (connecting cable runs outside the mast).

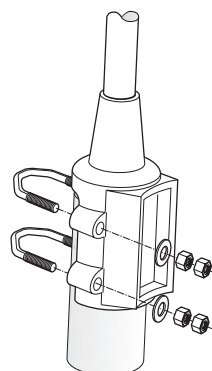
Grounding: All metal parts of the antenna including the mounting kit are DC grounded.



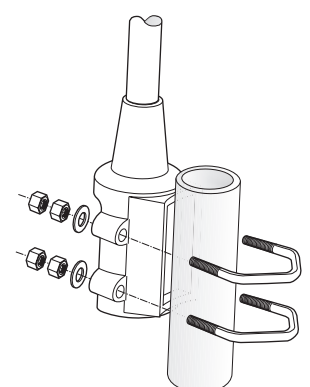
Horizontal Pattern



Vertical Pattern



On the tip of a tubular mast



Laterally at the tip of a tubular mast